

HEALTH PRO Bridge Pendant

- An inbuilt medication cabin has an adjustable compartment for various medicine.
- An option to install PCAS monitor. It enables the display of patient's medical images via the concealed keyboard and mouse pad.
- External hangers to hold stethoscope, emergency torch, suction tubes.
- An option to install an X-ray viewer with the rear x-ray film storage compartment for easy access of x-ray film.
- Electric power moving platform is equipped with drawer.
- Adjustable Multi layer trays.

ICU Bridge Pendant with 2 carriers

(Multi-movement, PACS)

Standard Configuration:

- * HEALTH PRO medical gas terminal unit: O₂ x2, VAC x2, AIR400 x2
 - * Electrical socket x6
 - * Earth stud x4
 - * LAN socket x3
 - * Electric shelf with drawer x1
 - * Shelf with drawer x2
 - * Large cabinet x1
 - * Normal Cabinet x1
 - * Wire fixing clamp x1
- Infusion Section (2 set)
- * Electric socket x12
 - * LAN socket x2
- Digital Function Section
- * All in one PC (PACS) x1



Standard Specification:

- * Arm: 400mm
- * Arm rotating angle: 340°
- * L carrier max. load: 60kg
- * R carrier max load: 80kg
- * Infusion pump section: 30kg
- * Carriers movable range: 500mm
- * Mechanical break
- * Supply voltage: 220V / 10A

Model: HP-ICU-TBS-14A3

ICU Bridge Pendant with 2 carriers

(Multi-movement, X-ray Viewer)

Standard Configuration:

HEALTH PRO medical gas terminal unit: O₂ x2, VAC x2, AIR400 x2

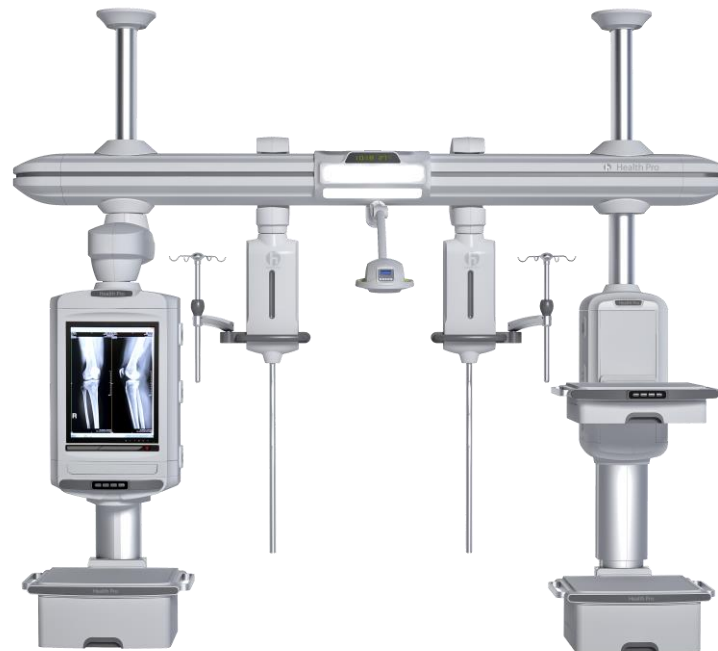
- * Electrical socket x6
- * Earth stud x4
- * LAN socket x3
- * Electric shelf with drawer x1
- * Shelf with drawer x2
- * Large cabinet x1
- * Normal Cabinet x1
- * Wire fixing clamp x1

Infusion Section (2 set)

- * Electric socket x12
- * LAN socket x2

Digital Function Section

- * X-Ray Viewer x1



Standard Specification:

- * Arm: 400mm
- * Arm rotating angle: 340°
- * L carrier max. load: 60kg
- * R carrier max load: 80kg
- * Infusion pump section: 30kg
- * Carriers movable range: 500mm
- * Mechanical break
- * Supply voltage: 220V / 10A

Model: HP-ICU-TBS-14A2

ICU Bridge Pendant with 2 carriers

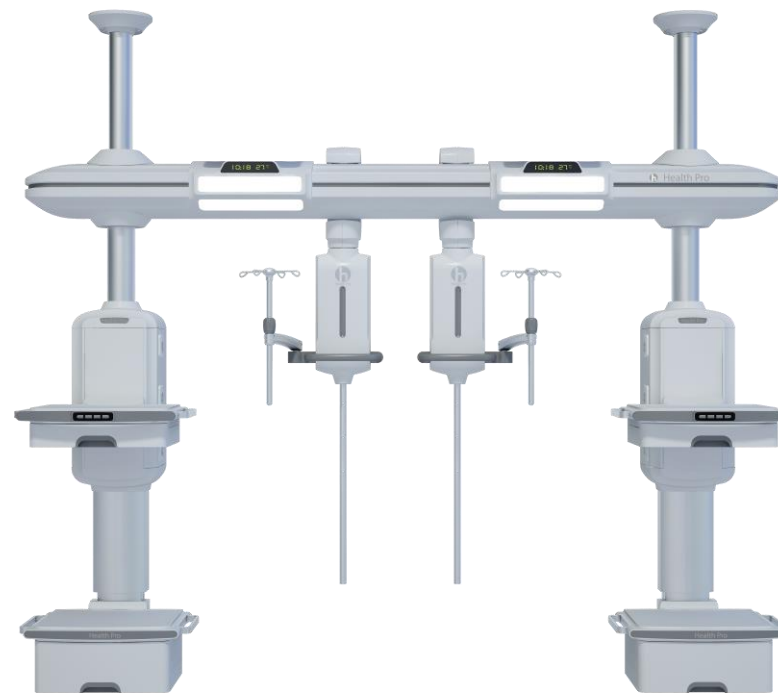
Standard Configuration:

HEALTH PRO medical gas terminal unit: O₂ x2, VAC x2, AIR400 x2

- * Electrical socket x6
- * Earth stud x4
- * LAN socket x2
- * Electric shelf with drawer x2
- * Shelf with drawer x2
- * Cabinet x1
- * Wire fixing clamp x1

Infusion Section (2 set)

- * Electric socket x8
- * LAN socket x2



Standard Specification:

- * Arm rotating angle: 340°
- * L carrier max. load: 60kg
- * R carrier max load: 80kg
- * Infusion pump section: 30kg
- * Carriers movable range: 500mm
- * Mechanical break
- * Supply voltage: 220V / 10A

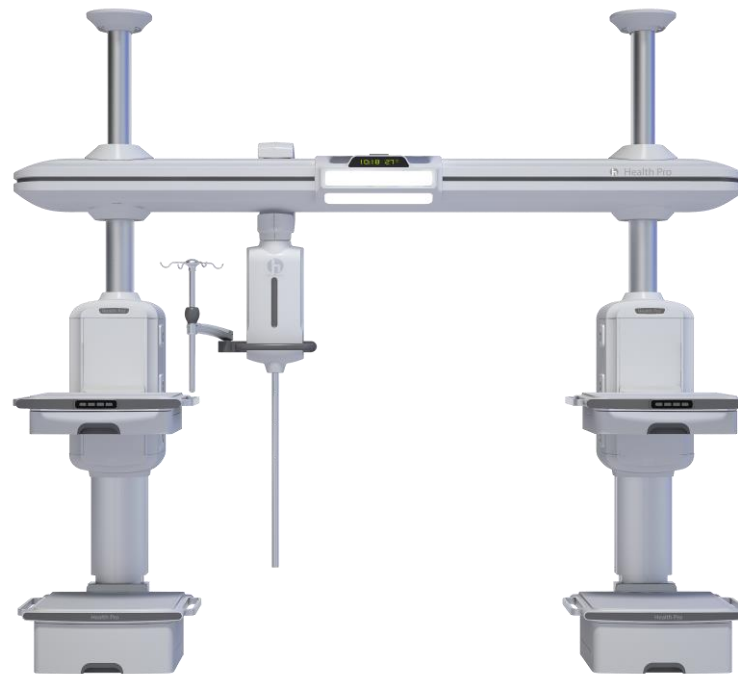
Model: HP-ICU-BS-14B3

ICU Bridge Pendant with 2 carriers

Standard Configuration:

HEALTH PRO medical gas terminal unit: O₂ x2, VAC x2, AIR400 x2

- * Electrical socket x6
 - * Earth stud x4
 - * LAN socket x4
 - * Electric shelf with drawer x1
 - * Shelf with drawer x3
 - * Cabinet x1
 - * Wire fixing clamp x1
- Infusion Section (1 set)
- * Electric socket x4
 - * LAN socket x1



Standard Specification:

- * Arm rotating angle: 340°
- * L carrier max. load: 80kg
- * R carrier max load: 60kg
- * Infusion pump section: 30kg
- * Carriers movable range: 500mm
- * Mechanical break
- * Supply voltage: 220V / 10A

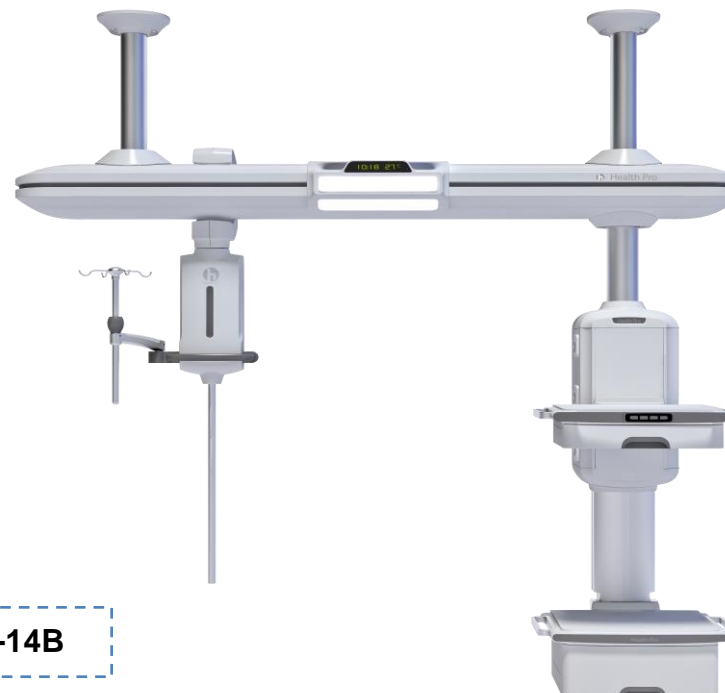
Model: HP-ICU-BS-14B2

ICU Bridge Pendant

Standard Configuration:

HEALTH PRO medical gas terminal unit: O₂ x2, VAC x2, AIR400 x2

- * Electrical socket x6
 - * LAN socket x2
 - * Earth stud x2
 - * Electric shelf with drawer x1
 - * Shelf with drawer x1
 - * Cabinet x1
 - * Wire fixing clamp x1
- Infusion Section (1 set)
- * Electric socket x4
 - * LAN socket x1



Model: HP-ICU-BS-14B

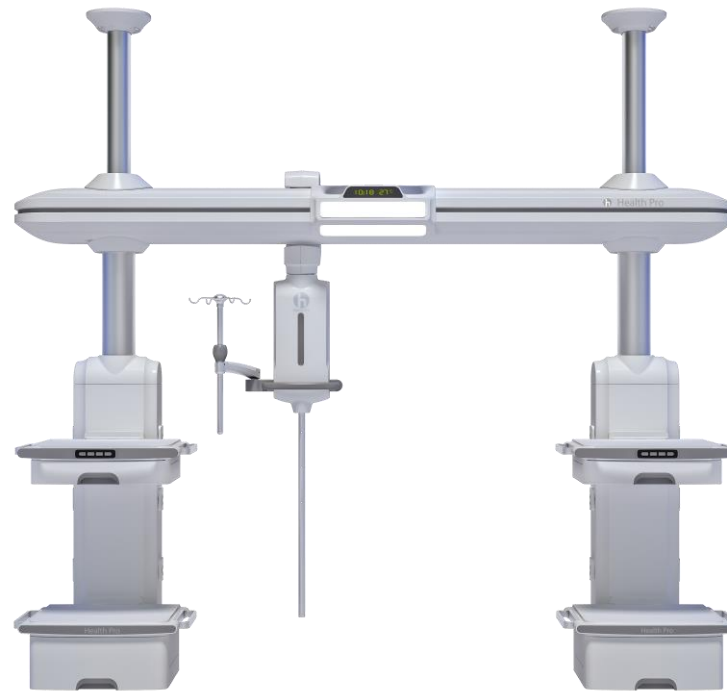
Standard Specification:

- * Arm rotating angle: 340°
- * Carrier max. load: 80kg
- * Infusion pump section: 30kg
- * Carriers movable range: 500mm
- * Mechanical break
- * Supply voltage: 220V / 10A

ICU Bridge Pendant with two carriers

Standard Configuration:

- * HEALTH PRO medical gas terminal unit: O₂ x2, VAC x2, AIR400 x2
 - * Electrical socket x6
 - * LAN socket x4
 - * Earth stud x4
 - * Shelf with drawer x4
 - * Cabinet x1
 - * Wire fixing clamp x1
- Infusion Section (1 set)
- * Electric socket x4
 - * LAN socket x1



Standard Specification:

- * Arm rotating angle: 340°
- * L carrier max. load: 80kg
- * R carrier max load: 60kg
- * Infusion pump section: 30kg
- * Carriers movable range: 500mm
- * Mechanical break
- * Supply voltage: 220V / 10A

型号: HP-ICU-BS-14D

ICU Column (B Type)

Standard Configuration:

- * HEALTH PRO medical gas terminal unit: O₂ x2, VAC x2, AIR400 x2
 - * Electrical socket x4
 - * LAN socket x2
 - * Shelf x3
 - * Drawer x1
 - * I.V. Pole x1
 - * Wire fixing clamp x1
- Cabinet (1 set)
- * Electric socket x4
 - * Earth stud x4

Standard Specification:

- * Arm rotating angle: 340°
- * Carrier max load: 80kg
- * Mechanical break
- * Supply voltage: 220V / 10A

Model: HP-ICU-EQ-14B

